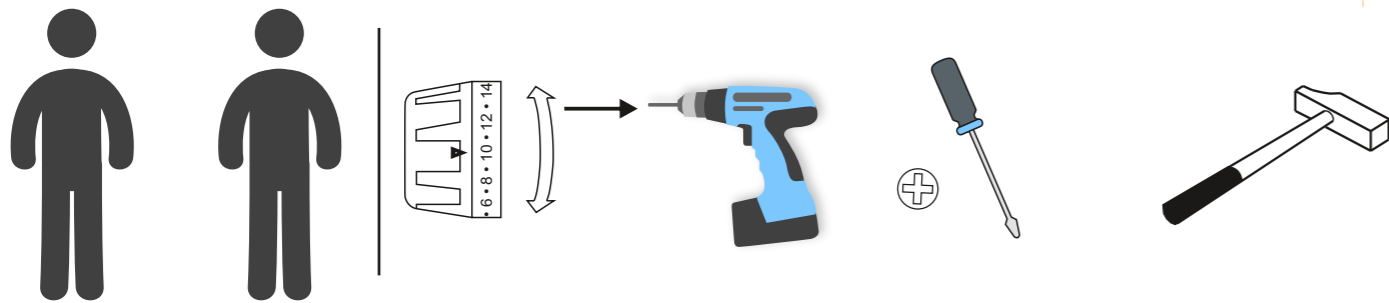


**152 31 21000**  
**COMPACT RAF / COMPACT SHELF**

by **MM**

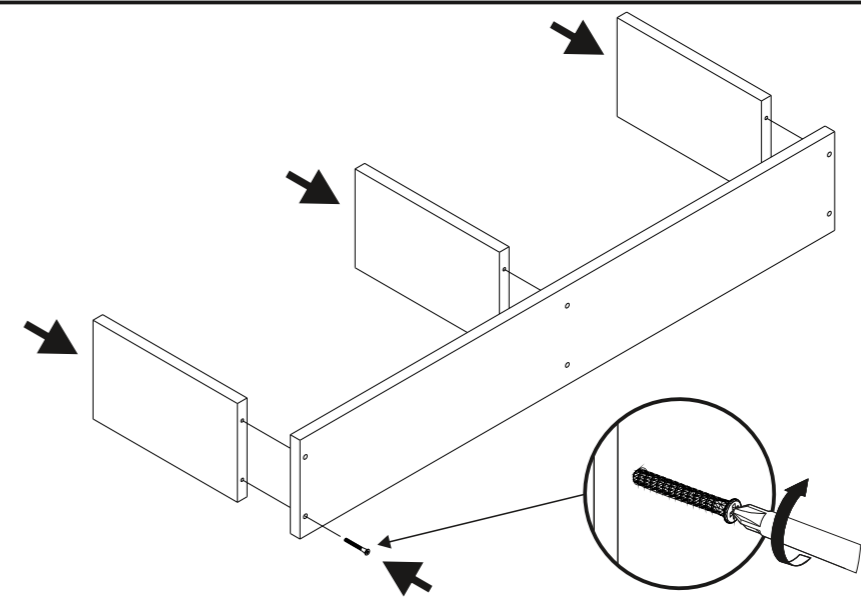
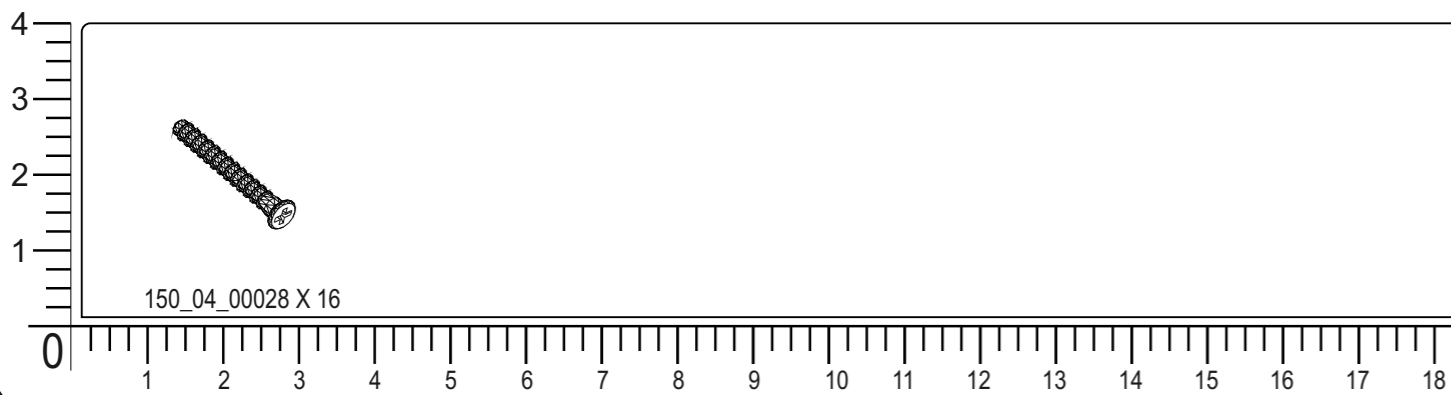
**EKİPMAN / EQUIPMENT**



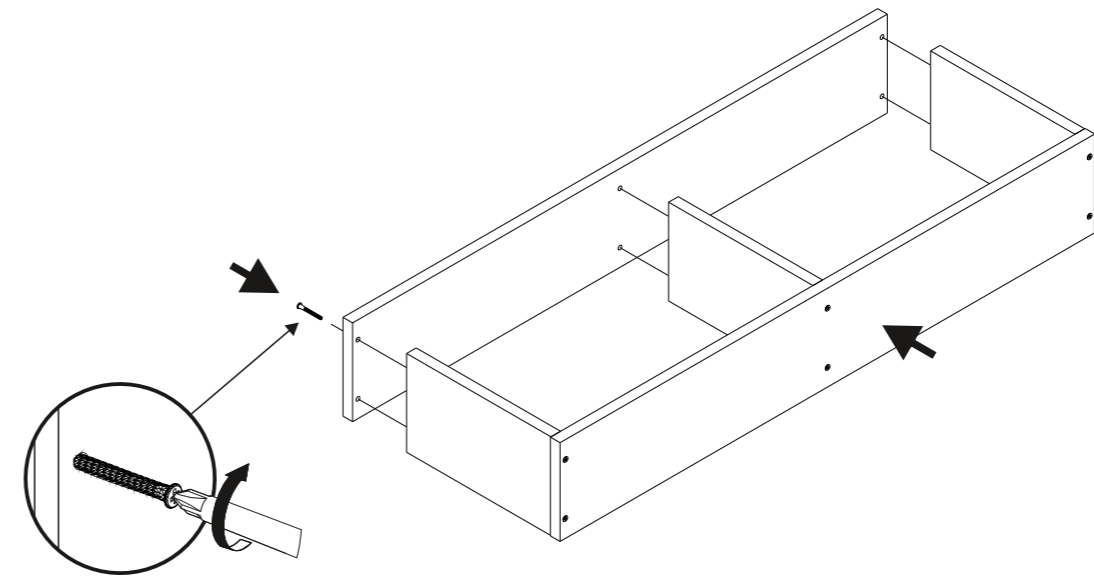
**PAKET ADETİ / PACKET QTY.**



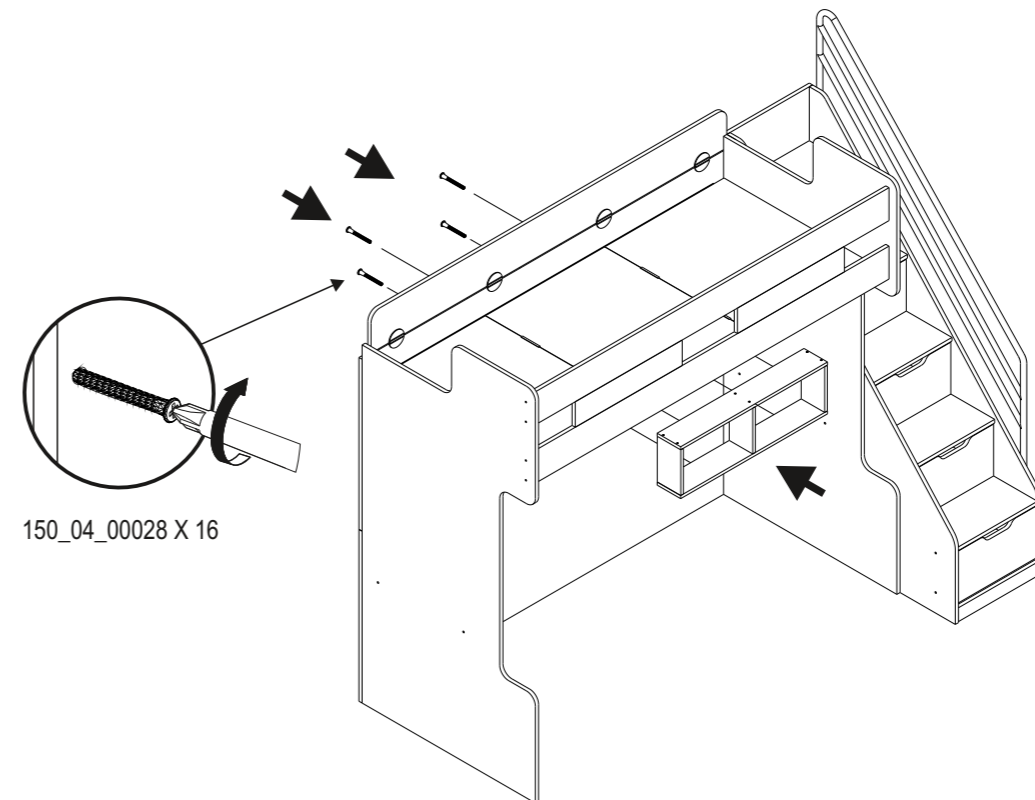
1/1  
RAF  
SHELF



150\_04\_00028 X 16



150\_04\_00028 X 16



150\_04\_00028 X 16